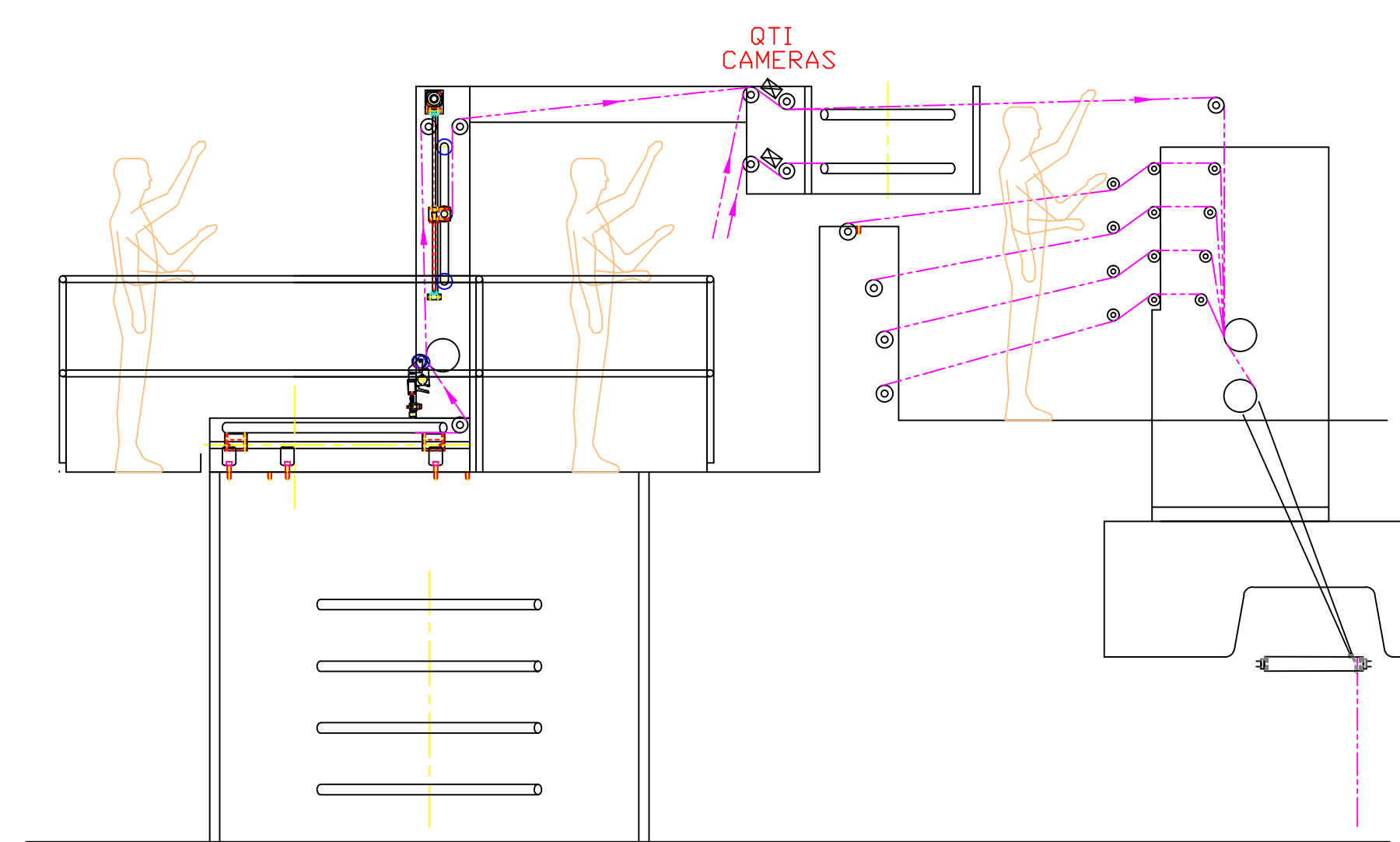
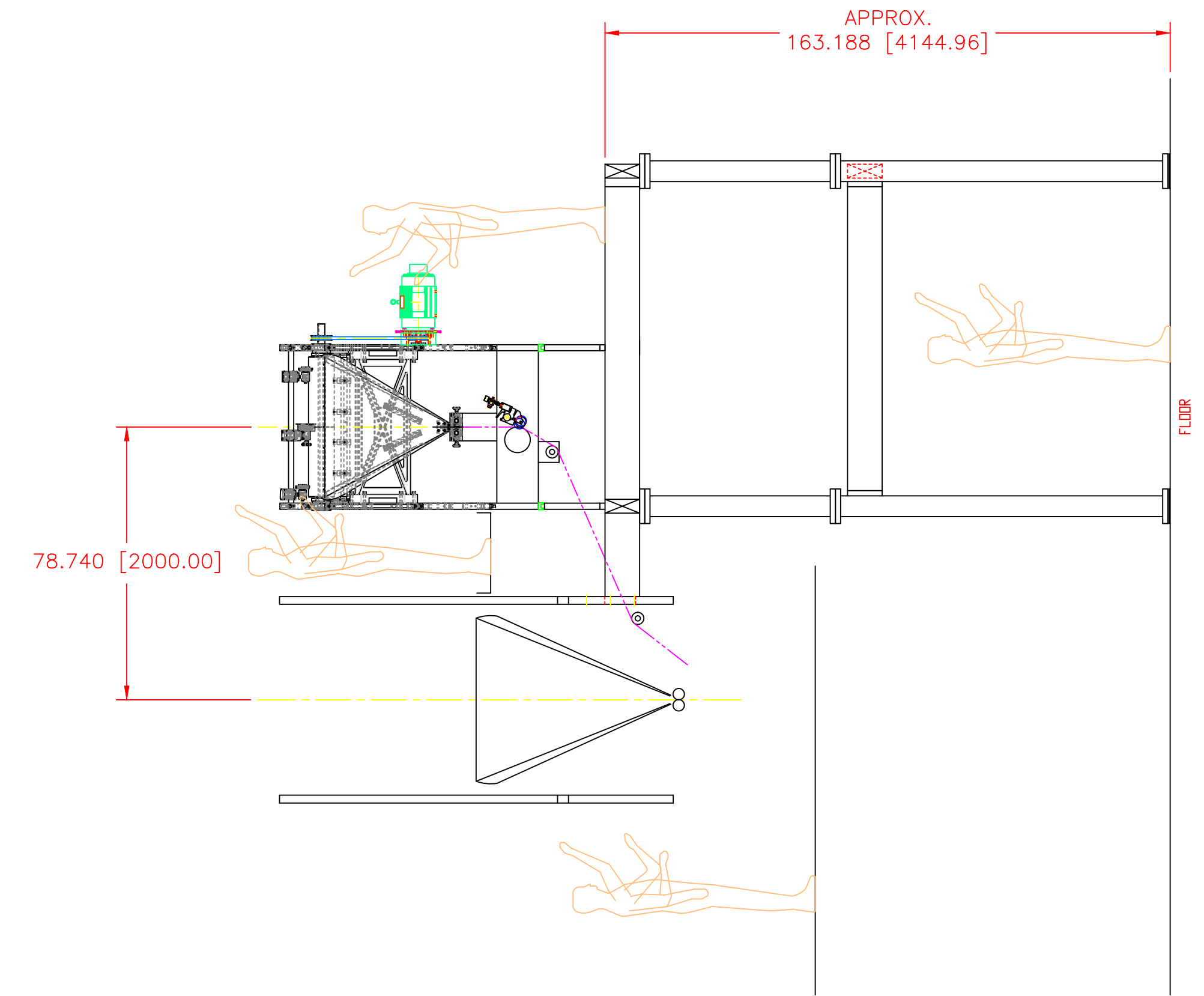
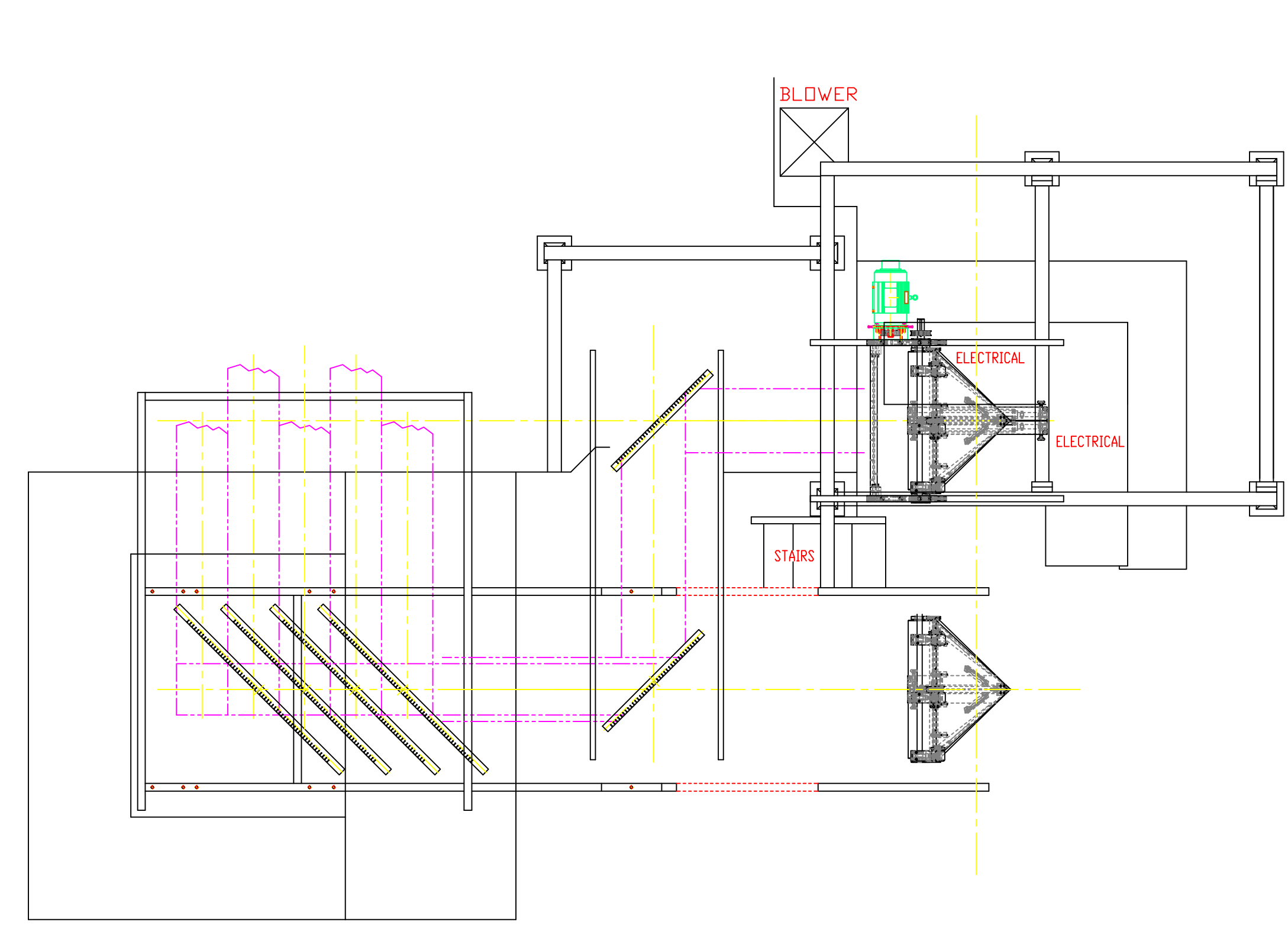
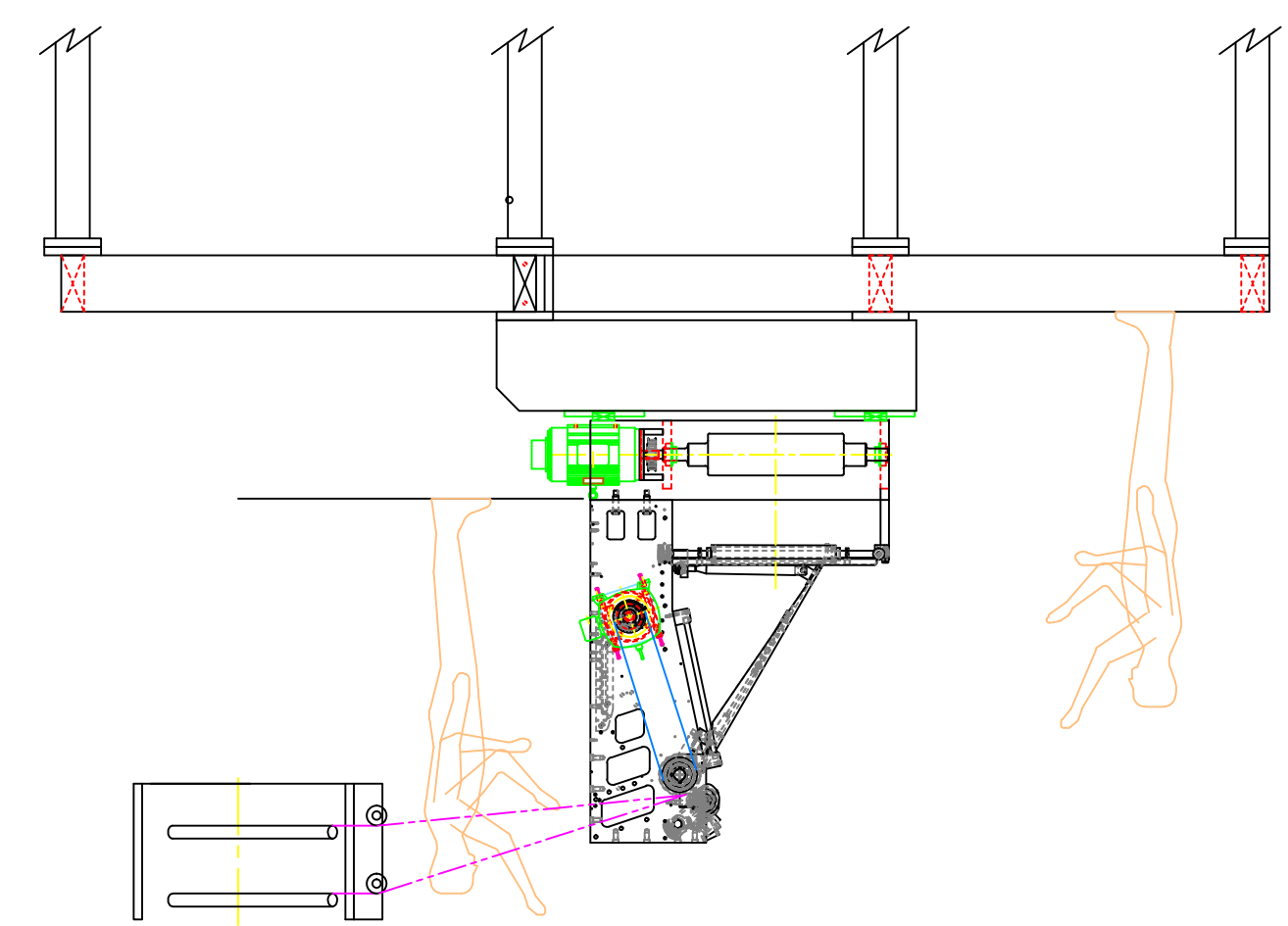


SIDE VIEW OF CROSSOVER DECK



THIS DRAWING INCLUDING THE DESIGNS AND APPLICATIONS CONTAINED HEREIN ARE THE EXCLUSIVE PROPERTIES OF GLOBAL WEB FINISHING, (GWF) . THIS DRAWING AND ANY ACCOMPANYING DESCRIPTIONS OR PROPOSAL(S) ARE FURNISHED ON THE BEHALF OF "YORK MAILING" OF YORK, ENGLAND. IT IS THEREFORE AGREED THAT ABSOLUTELY NO RETRANSMISSION OR DISCLOSURE OF ITS CONTENTS, IN WHOLE OR IN PART, EITHER PHYSICALLY, ELECTRONICALLY OR VERBALLY SHALL BE MADE WITHOUT THE PRIOR WRITTEN CONSENT OF GLOBAL WEB FINISHING INC.

		MACHINING TOLERANCES UNLESS OTHERWISE SPECIFIED	PART: SALES DRAWING	CUT-OFF: 1240 mm	DRAWN BY: TLN
		BREAK ALL SHARP EDGES	PART TYPE: GENERAL LAYOUT	MODEL: 5TH RIBBON & FORMER	
		2 PLACE DECIMALS ±.015	PART DESC: YORKPREFOLDER1d	MACHINE: PREFOLDER	
		3 PLACE DECIMALS ±.005	CUSTOMER: YORK MAILING		
		ANGULAR ±0°30'	SCALE: 1" = "		
		FINISHED SURFACES 12/	DATE: 12/11/09		
		FINISHED BORES 6/	STATUS: SALES		
		BENDING ±.06	S 00200		
		WELDING & BURNING ±.12			
DATE	SYM	REVISION RECORD	BY:		



THIS DOCUMENT IS THE PROPERTY OF GLOBAL WEB FINISHING. NO REPRODUCTION, IN WHOLE OR IN PART, MAY BE USED WITHOUT WRITTEN AUTHORIZATION.